

DIY Desk With Drawers IGBC Plans

By DIY Huntress



IGBC desk plans by diy huntress

DIMENSIONS & DISCLAIMER:

Please read through plans & double check the overall dimensions, materials, and tools required for your specific build before starting.

Please wear appropriate safety gear when operating power tools. DIY Huntress is not responsible for any injury or mismeasurement caused by individual error. For my full disclaimer policy, please visit my website at diyhuntress.com/aboutme.

If you have questions, comments, or concerns about this build, please email me (Sam) at hello@diyhuntress.com – happy DIY'ing!



WHAT YOU'LL NEED:

TOOLS:

Miter Saw	Pocket Hole Jig
Table Saw/Circular Saw	Preferred Joinery Tool*
Brad Nailer	Wood Clamps
Drill	Measuring Tape
Sander & Sand Paper	Pencil

MATERIALS (estimated cost of lumber: \$151 + tax):

(3) 1 x 8 x 8' Common Board	1 1/4" Pocket Hole Screws
(1) 1 x 8 x 10' Common Board	2 1/2" Pocket Hole Screws
(2) 1 x 6 x 8' Board	Wood Glue
(5) 2 x 2 x 8' Board	Wood Stain
(1) 1/2 Sheet of 1/4" Plywood	Black Paint
(1) 2 x 2' Sheet of 1/4" Plywood	Wood Putty
1/2" Brad Nails	(3) Sets of 16" Drawer Slides
1 1/4" Wood Screws	(3) Drawer Pulls
2 1/2" Wood Screws	

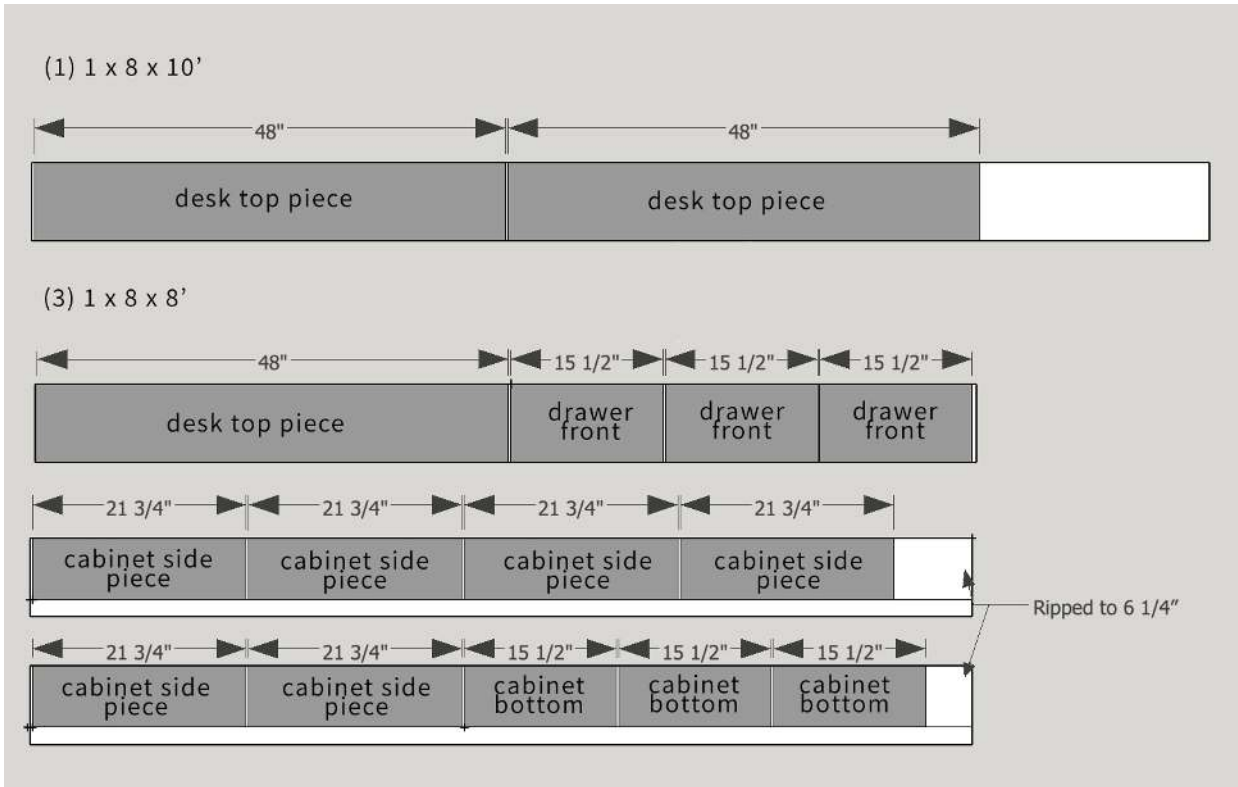
CUT LIST (see next page for detailed cut diagrams):

1 x 8:	2 x 2:
(3) Desk Top Pieces @ 48"	(4) Legs @ 29 1/4"
(3) Drawer Fronts @ 15 1/2"	(3) Long Frames @ 45"
(6) Cabinet Side Pieces @ 6 1/4 x 21 3/4"	(4) Short Frames @ 18 3/4"
(3) Cabinet Bottom Piece @ 6 1/4 x 15 1/2"	(1) Back Cabinet Frame @ 21 3/4"
	(1) Top Cabinet Frame @ 18 3/4"
	(1) Front Cabinet Frame @ 23 1/4"
	(1) Bottom Inside Cabinet Frame @ 18 3/4"
1 x 6:	(1) Bottom Front Cabinet Frame @ 15 1/2"
(3) Drawer Box Fronts @ 13"	
(3) Drawer Box Backs @ 13"	
(6) Drawer Box Sides @ 16"	
1/4" Plywood:	
(3) Drawer Bottoms @ 14 1/2 x 16"	
(1) Cabinet Back @ 16 x 22 3/4"	

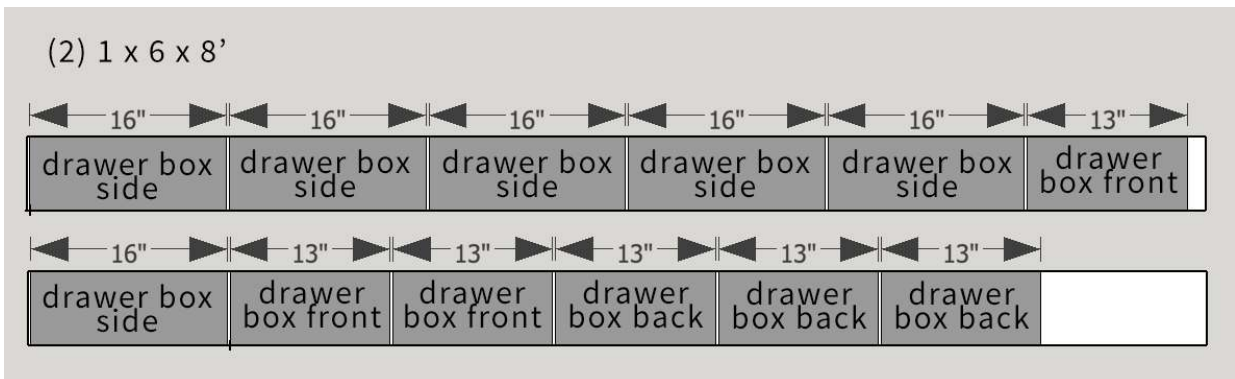
** Certain aspects of this build are tailored for specific choices in joinery tool (i.e., creating panels). In these instances, feel free to choose a joinery method that works best for your individual build.*

CUT LISTS:

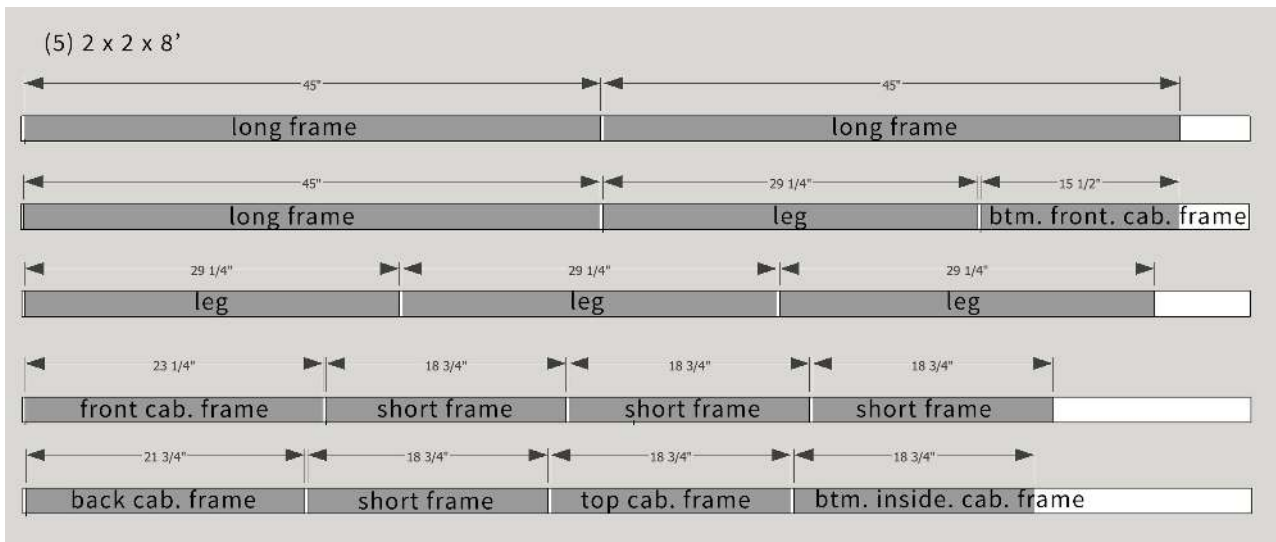
1 x 8:



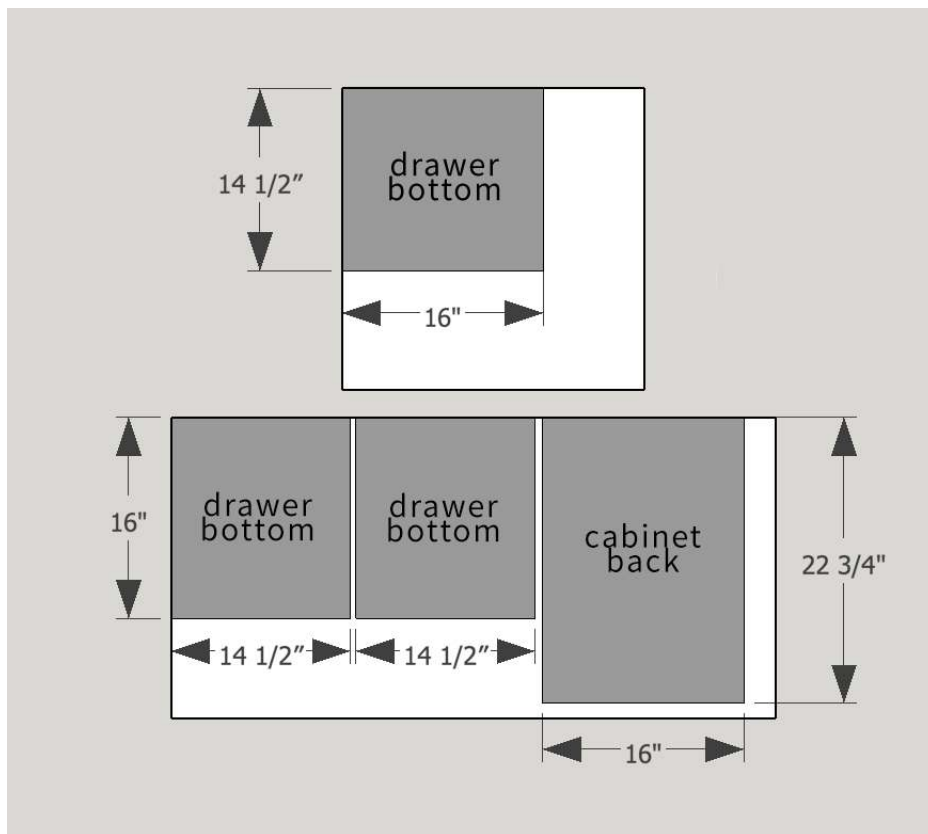
1 x 6:



2 X 2:



1/4" Plywood (1/2 Sheet & 2x2)



THE STEPS:**STEP 1**

Use a preferred joinery method (i.e., pocket holes, biscuits, glue-up, dowels, domino, etc.) to join together the three desk top pieces to make one solid panel. Make sure to sand and stain panel prior to attaching it to desk frame in later steps.

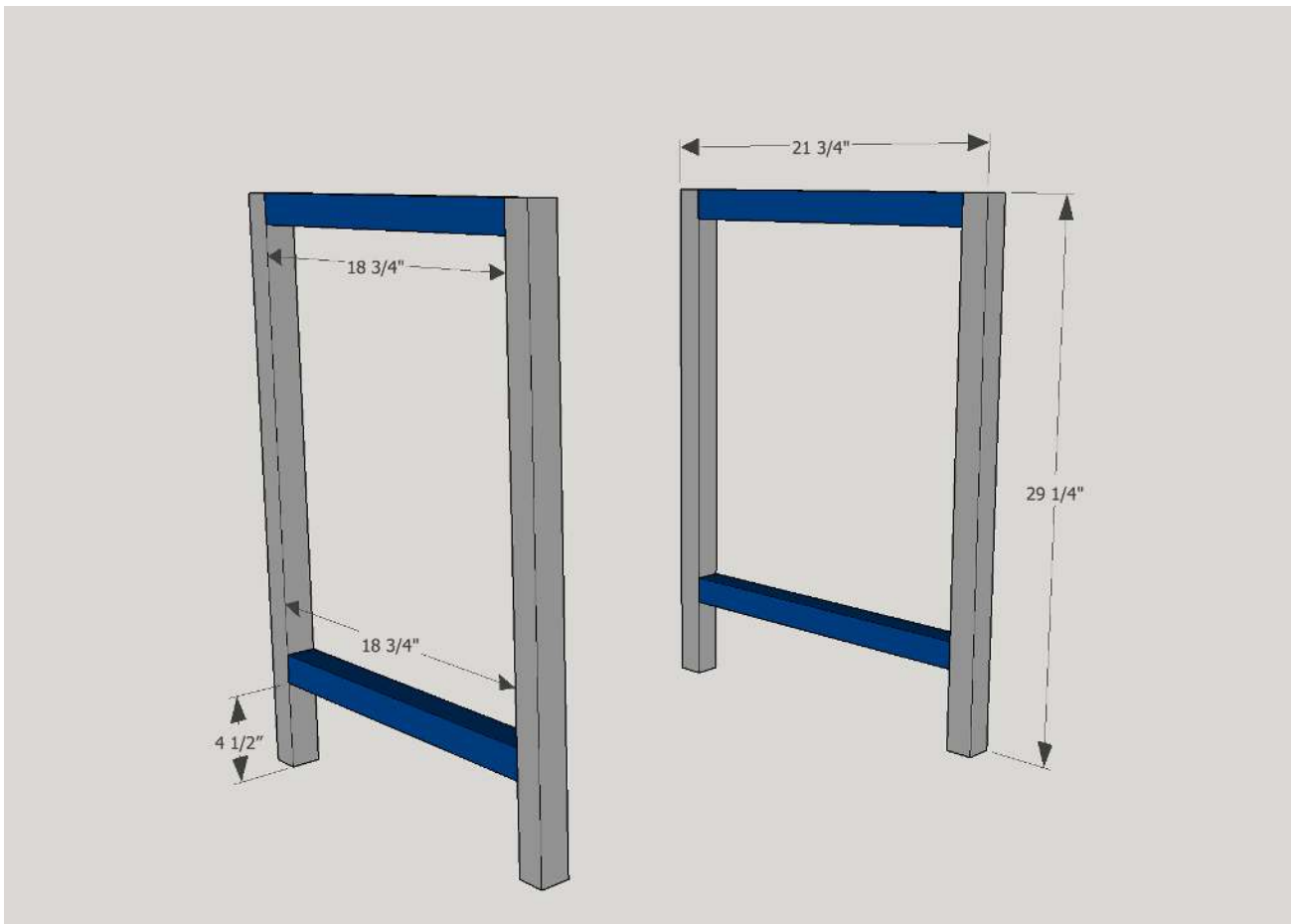


Join three boards together to create one solid desk top panel.

STEP 2

Create the two side frames for your desk by joining your short frames to your desk legs with 2 1/2" wood screws or pocket hole screws & wood glue.

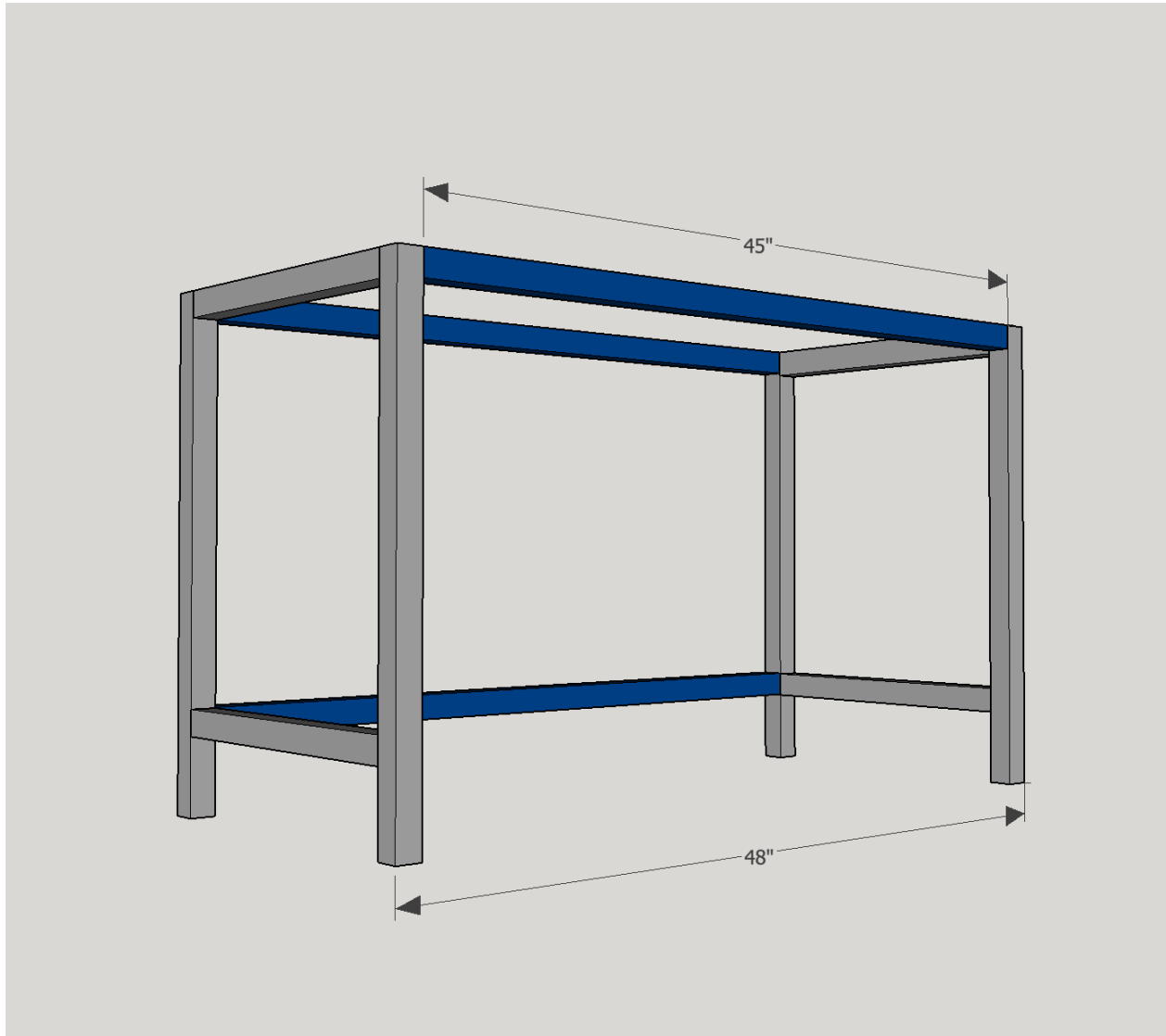
If you choose to use pocket hole screws, hide all pocket hole screws on the underside of the short frame pieces.



STEP 3

Attach the two sides together by joining them to the three long frames with 2 1/2" wood screws or pocket hole screws & wood glue.

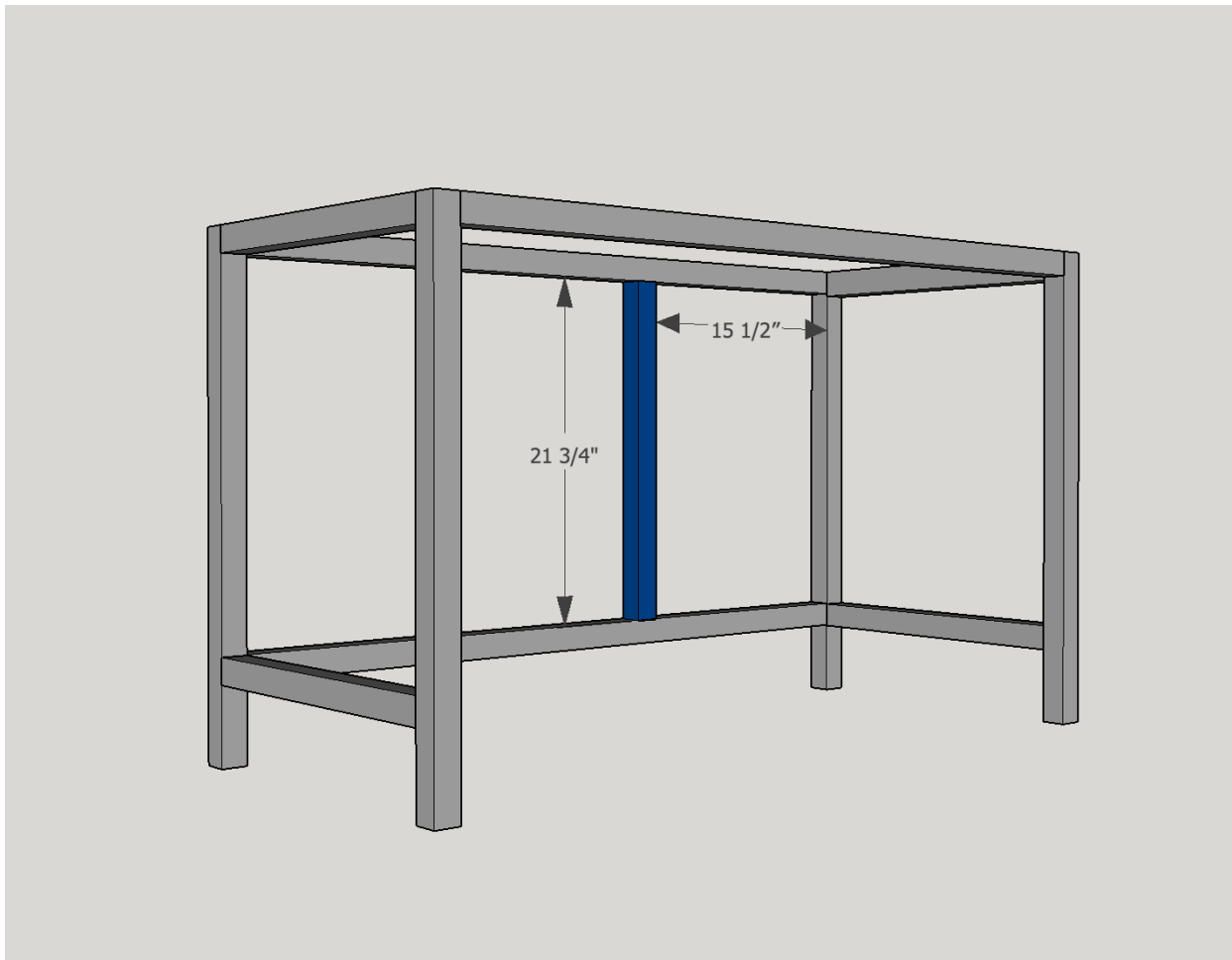
If you choose to use pocket hole screws, hide all pocket hole screws on the underside of the long frame pieces.



STEP 4

Once the main carcass of the desk has been assembled, add the back cabinet frame with 2 1/2" wood screws or pocket hole screws & wood glue.

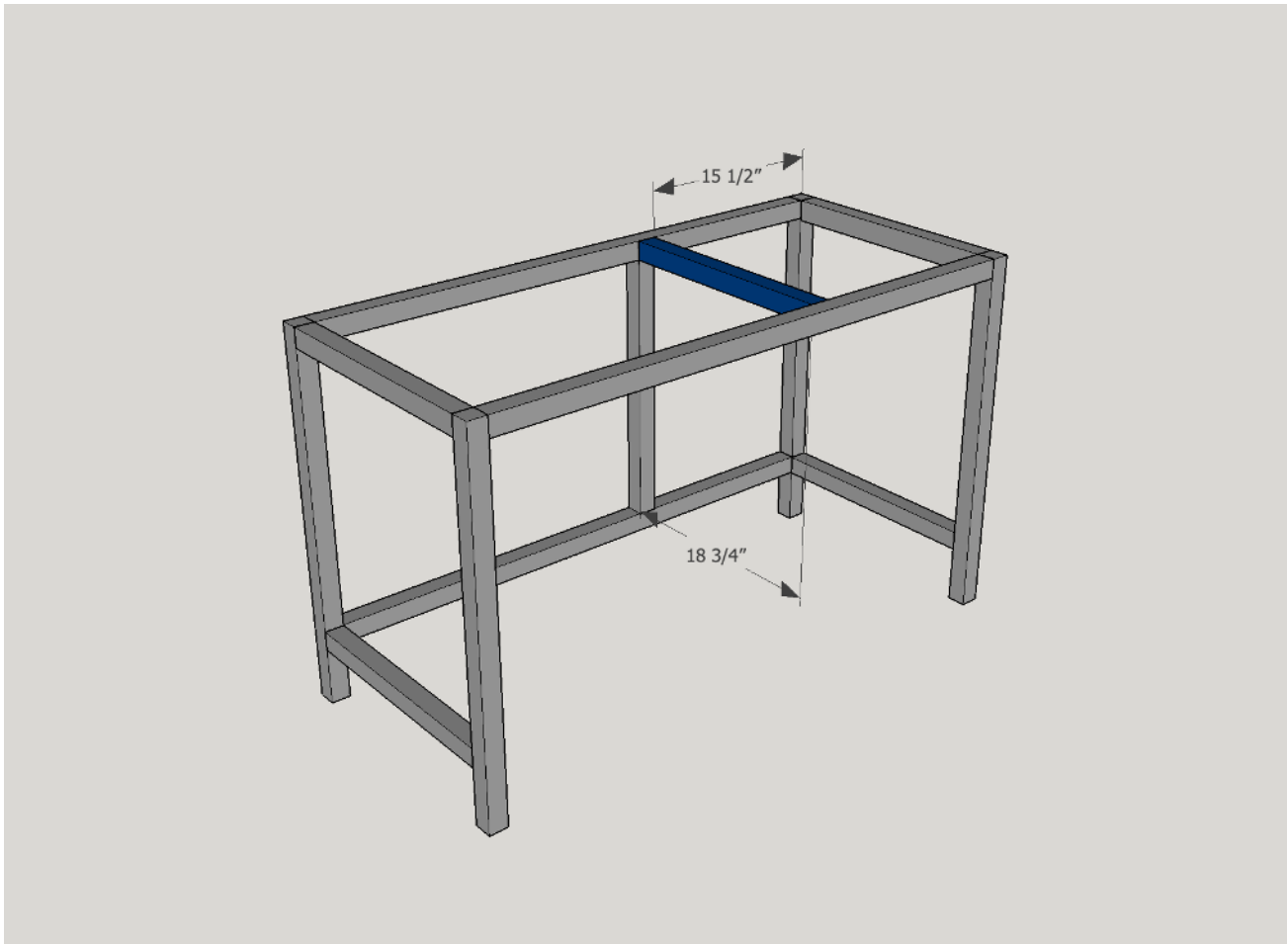
If you choose to use pocket hole screws, hide all pocket hole screws on the backside of the back cabinet frame piece.



STEP 5

Attach top cabinet frame piece to the desk carcass with 2 ½" wood screws or pocket hole screws & wood glue.

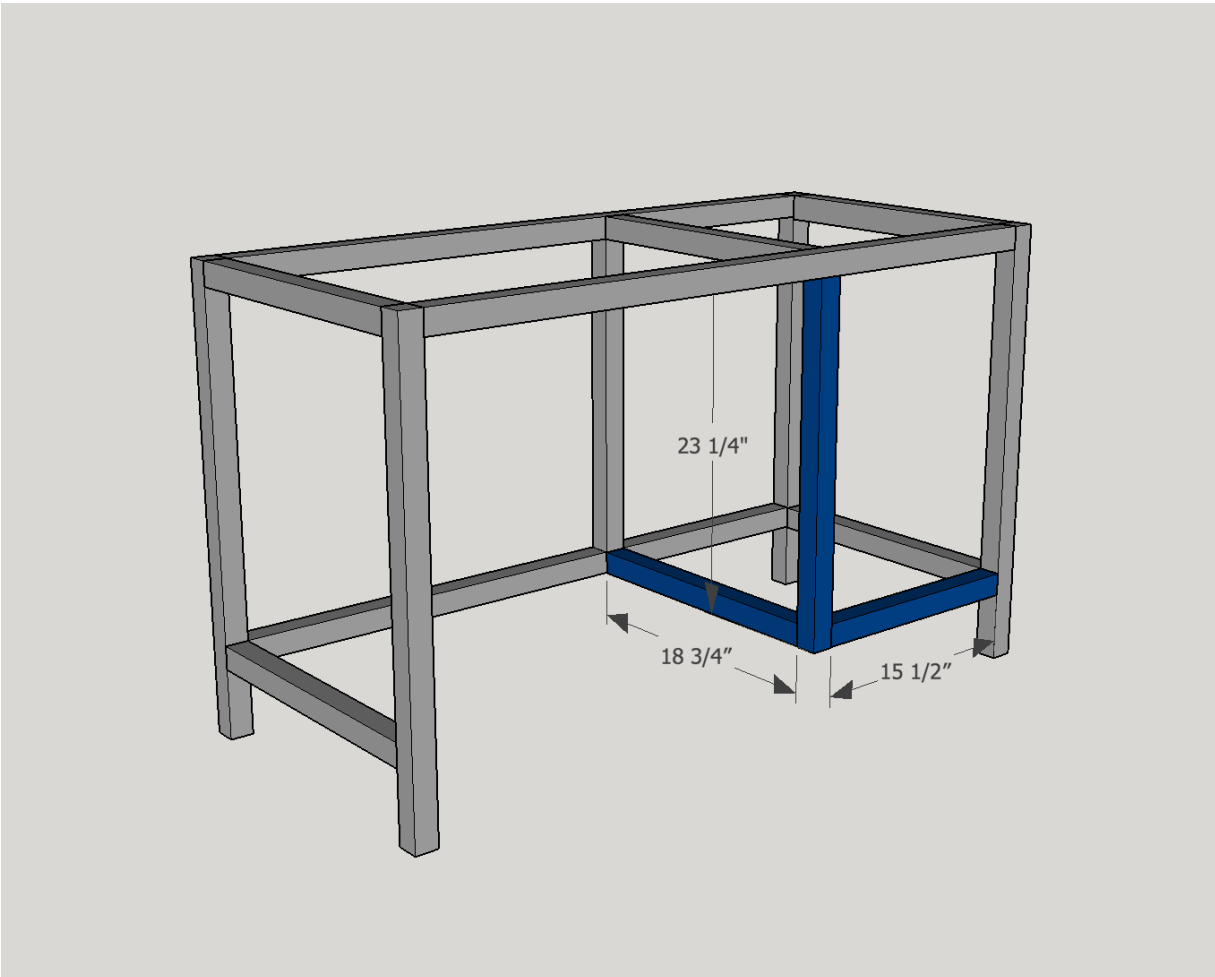
If you choose to use pocket hole screws, hide all pocket hole screws on the underside of the top frame piece.



STEP 6

Attach remainder of cabinet frame pieces to the desk carcass with 2 1/2" wood screws or pocket hole screws & wood glue.

If you choose to use pocket hole screws, hide all pocket hole screws on the underside of the bottom frame pieces and on the backside of the front cabinet frame.



STEP 7

Once your desk frame has been fully assembled, fill all screw holes with wood putty. Once dry, sand and finish your desk frame with paint.



STEP 8

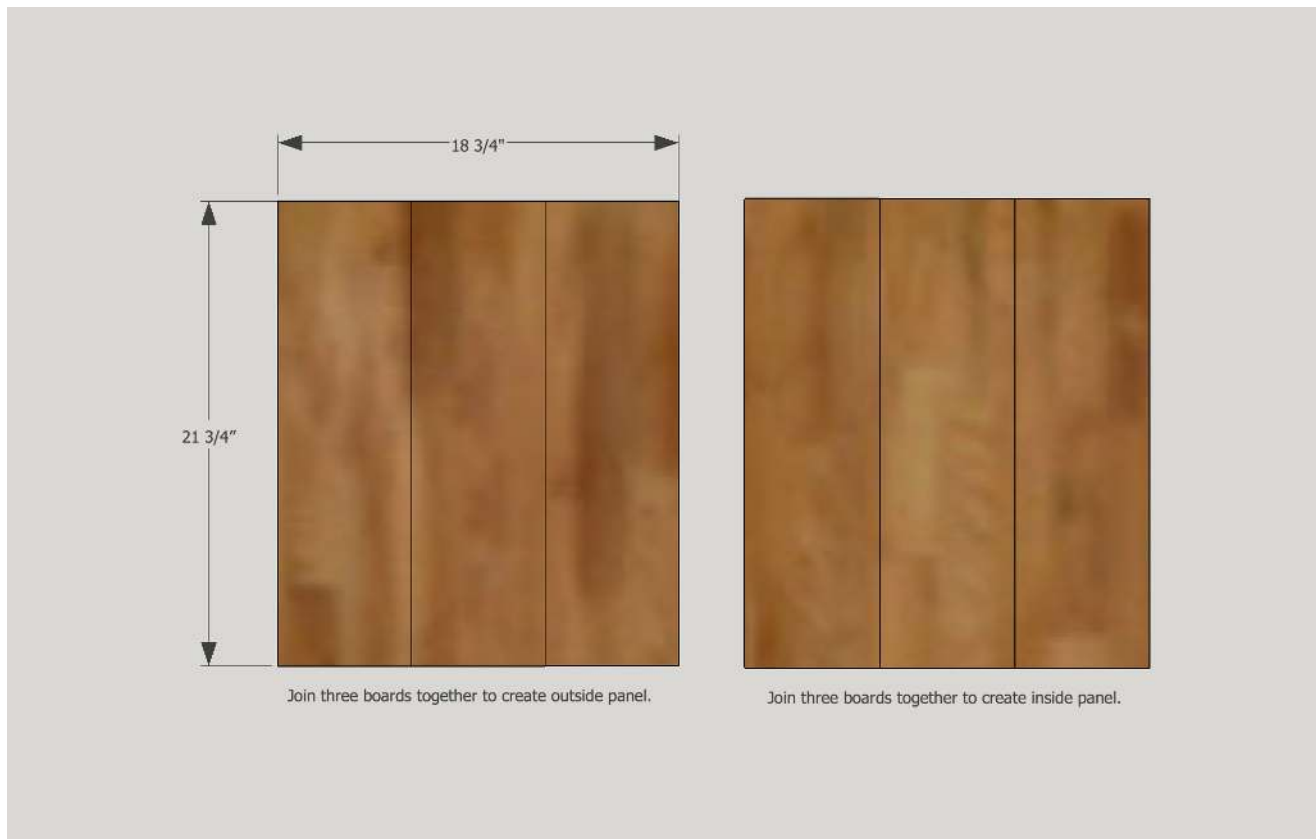
Once the frame has been finished, attach the finished desk top with 2 1/2" wood screws & glue from underside of top frames.



STEP 9

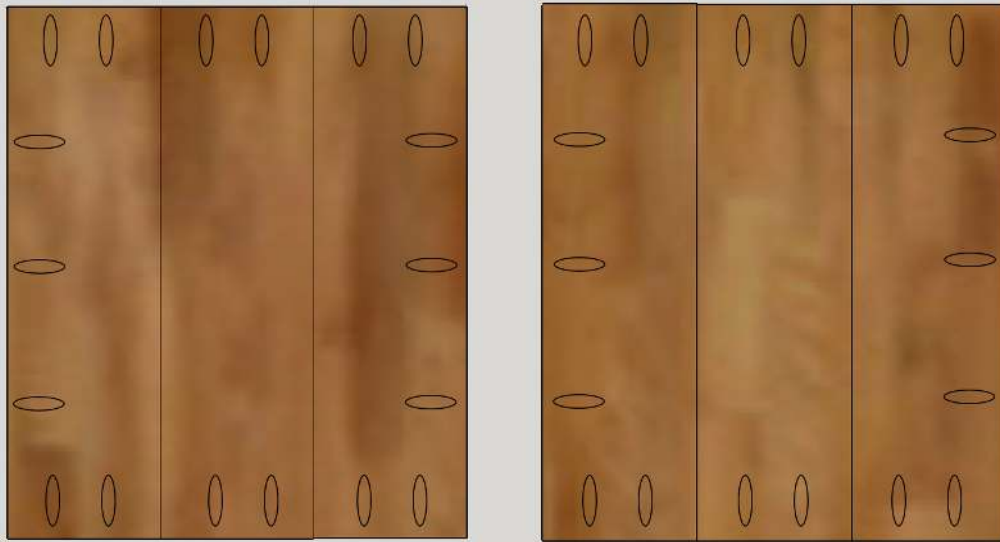
Once the frame and top have been attached, double check measurements for cabinet side panels. Then, use preferred joinery methods (i.e., pocket holes, biscuit, glue-up, dowels, domino, etc.) to create two side panels with your six drawer cabinet side pieces.

Make sure to sand & stain your two side panels prior to attaching to the desk frame.



STEP 10

Once your panels have been joined, use a pocket hole jig to add pocket holes to the perimeter of each panel. You will use these to connect your panels to your desk frame.



STEP 11

Install side panels inside cabinet frame with 1 1/4" pocket hole screws & wood glue. Hide the pocket holes on the inside of the cabinet. Make sure panels are flush with inside of frame.



STEP 12

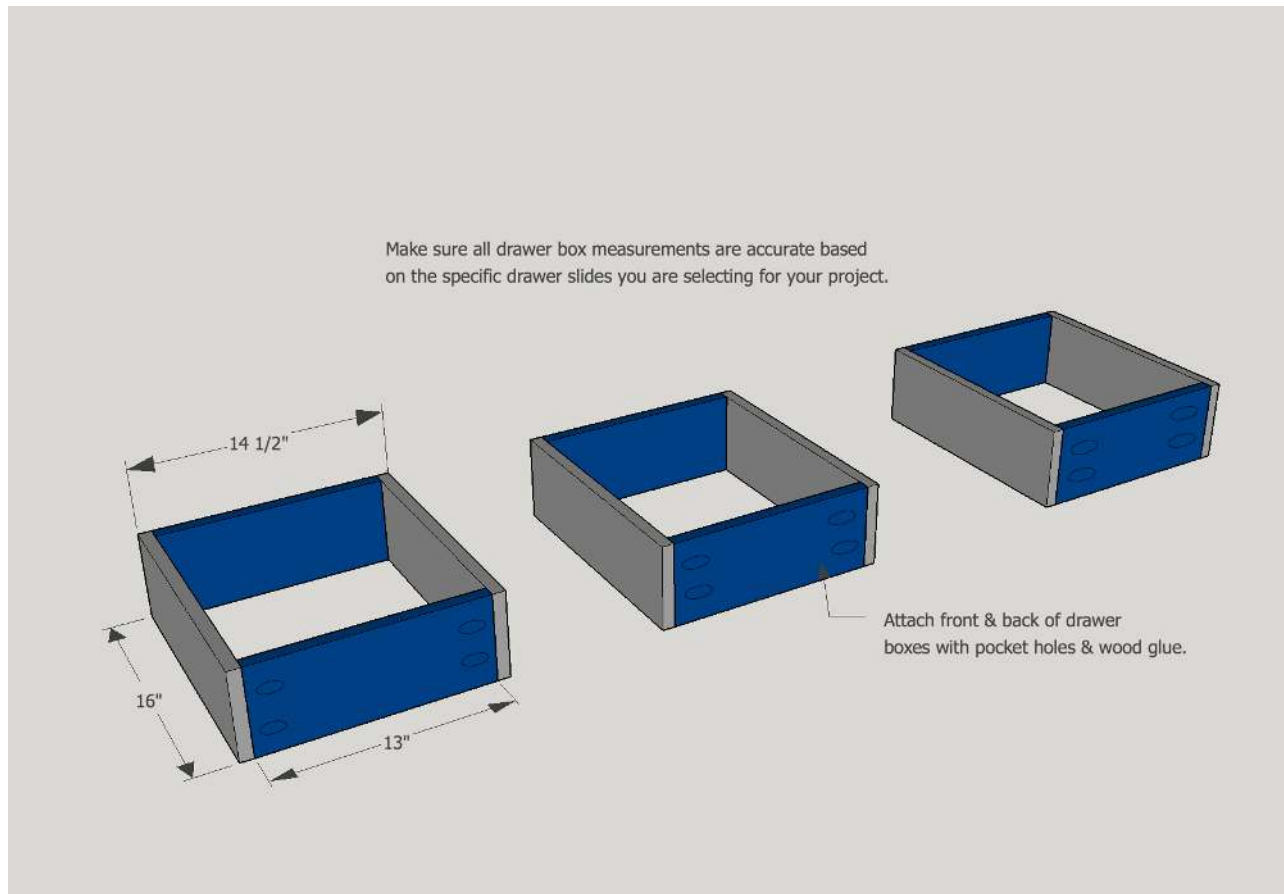
Install the three cabinet bottom panels to the bottom & inside of your drawer cabinet with 1 1/4" pocket hole screws & wood glue. You can hide the pocket holes on the inside of the drawer cabinet.



STEP 13

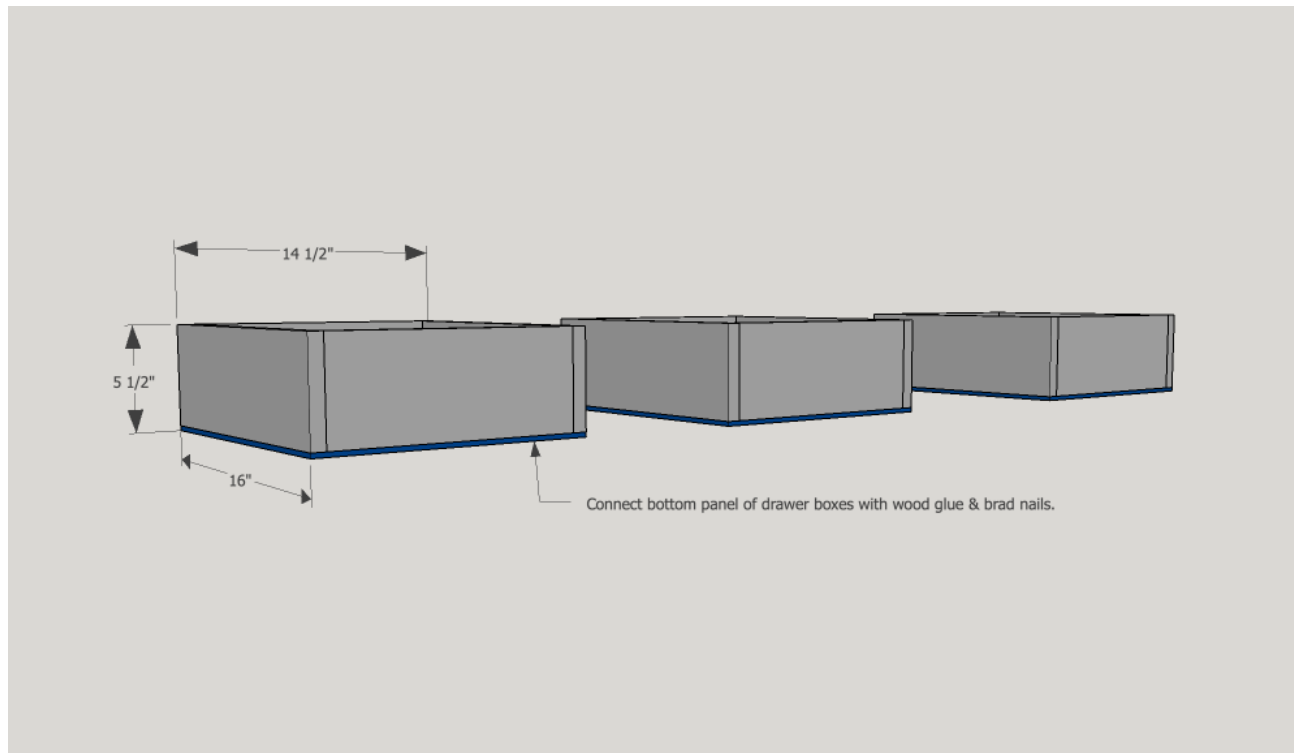
Build your drawer boxes with pocket hole screws & wood glue.* Place the pocket hole screws on the front and back of the drawer boxes.

** Make sure to double-check the measurements of your drawer boxes based on the specific drawer slides you have chosen for your build.*



STEP 14

Install $\frac{1}{4}$ " drawer bottoms to drawer boxes with $\frac{1}{2}$ " brad nails & wood glue.



STEP 15

Install your drawer boxes inside of cabinet opening.*

Double check your spacing to make sure all drawer fronts will fit evenly after installing. Make sure to leave a $\frac{3}{4}$ " gap between the front of the drawer box and the outside of the frame. This will allow the drawer front to sit flush.

** Installation of drawer slides will differ based on brand of drawer slides used/drawer slide mounting options. Be sure to follow manufactures' instructions when installing.*



STEP 16

Install drawer fronts to drawer boxes by attaching faces from inside of drawer box with 1 1/4" wood screws. Sand & finish drawers prior to installing hardware.



STEP 17**Install drawer pulls.**

STEP 18

Attach cabinet back to rear of drawer cabinet with $\frac{1}{2}$ " brad nails and wood glue.

