

## DIY Huntress Live Edge Dining Table Table Base/Underside

### Materials

1 1/2" Square Tubing (12ga)  
6" Flat Bar  
C-Channel

### Cut List

#### *Square Tubing*

(4) Table Legs @ 28 1/2"  
(4) Table Frame Pieces @ 22"  
(4) Bench Legs @ 17"  
(4) Bench Frame Pieces @ 9"

#### *Flat Bar*

(2) Table @ 27"  
(2) Bench @ 14"  
(1) Bench @ 54"

#### *C-Channel*

(2) Supports @ 36"

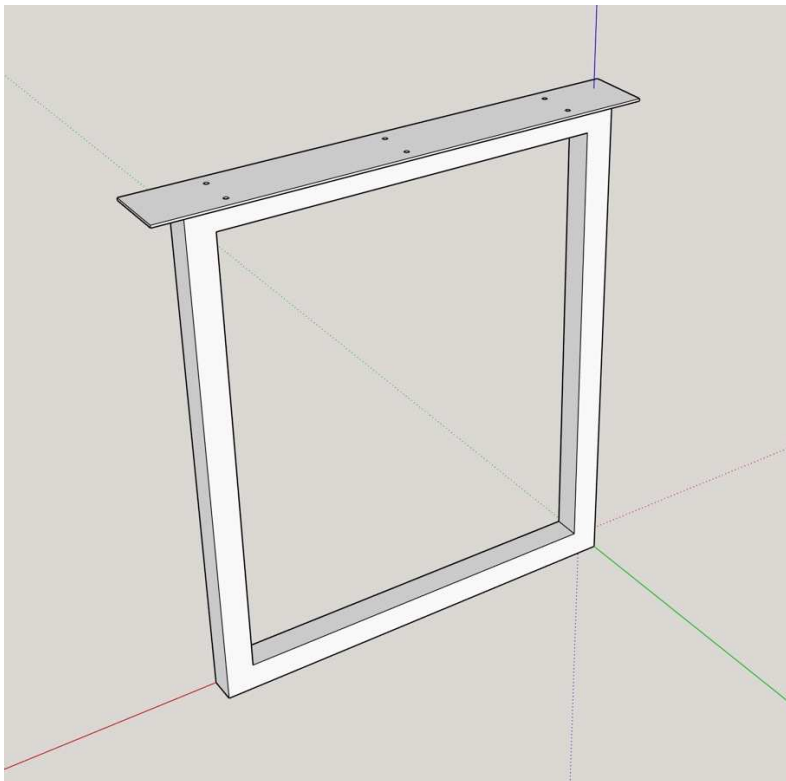


Table Base Design Courtesy of John Malecki